

## TRAP VALVE STATION 4PV WITH BLOWDOWN PISTON VALVE (DN 15 - 20 / DN 1/2" - 3/4")

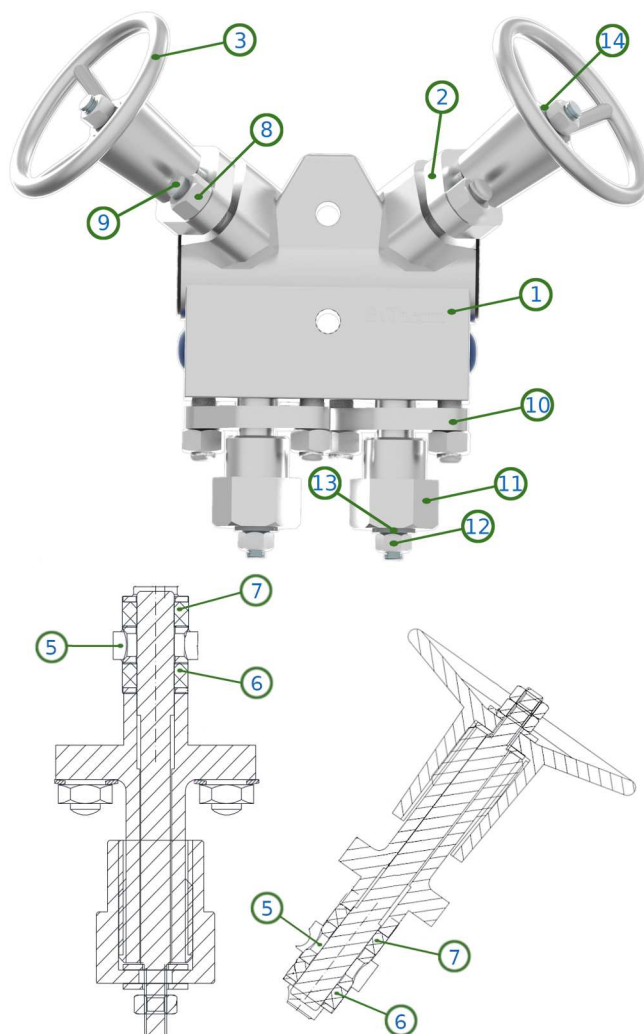
### General Description

Bitherm TVS is a compact combination of valves and a trap performing all the functions of steam trap module, permitting discharge of condensate as well as maintenance when required.

Steam traps with universal connector can be fitted to a Bitherm TVS.



### Materials



### Components

The TVS main components are:

- TVS Body.
- Inlet Isolation Piston Valve.
- Outlet Isolation Piston Valve.
- Inlet Blowdown Piston Valve.
- Outlet Blowdown Piston Valve.

### Operating conditions

<b>Max. Pressure Amb. Temp.:</b>	<b>51.1 bar</b>
<b>Max. Pressure 400°C:</b>	<b>34.7 bar</b>
<b>Max. Temperature:</b>	<b>400°C</b>

TVS Body Rating 300#

### Connections

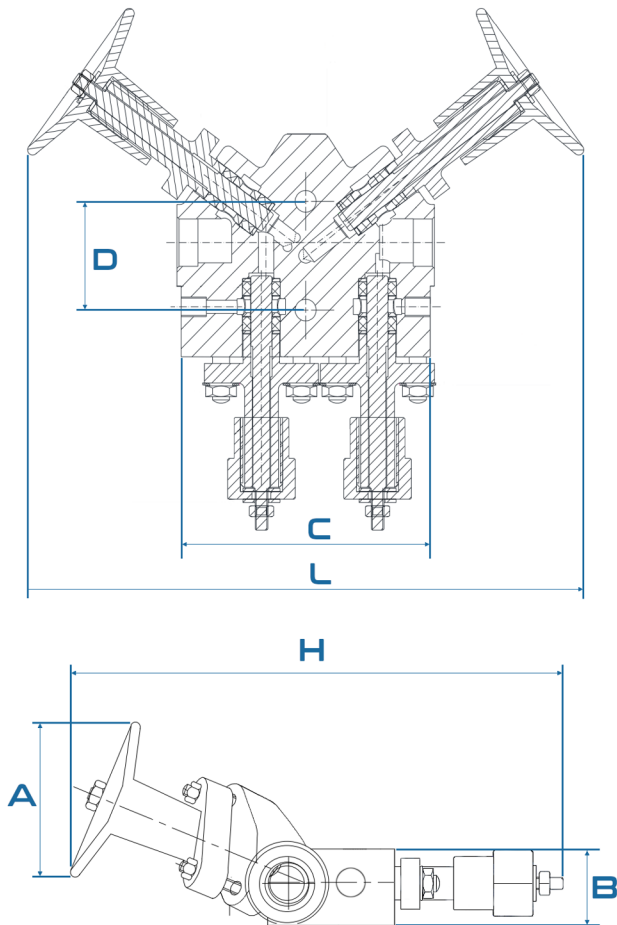
- Socket Weld: 1/2", 3/4".
- Other connections upon request.

### Materials

<b>1 Body</b>	<b>ASTM A105</b>
<b>2 Bonnet</b>	<b>ASTM A105</b>
<b>3 Hand wheel</b>	<b>ASTM A216 WCB</b>
<b>4 Integral piston</b>	<b>ASTM A276 TP 410</b>
<b>5 Lantern bush</b>	<b>ASTM A276 TP 410</b>
<b>6 Lower valve ring</b>	<b>KLINGER STD.</b>
<b>7 Upper valve ring</b>	<b>KLINGER STD.</b>
<b>8 Bonnet nut M8</b>	<b>ASTM A194 Gr. 2H</b>
<b>9 Stud</b>	<b>ASTM A193 Gr. B7</b>
<b>10 Bottom bonnet</b>	<b>ASTM A105</b>
<b>11 Bot. Handwheel</b>	<b>ASTM A105</b>
<b>12 Hand wheel nut</b>	<b>AISI 316</b>
<b>13 Belleville washer</b>	<b>50 Cr. V4</b>
<b>14 Plain washer</b>	<b>AISI 304</b>

## TRAP VALVE STATION 4PV WITH BLOWDOWN PISTON VALVE

### Dimensions



<b>H (mm)</b>	<b>212</b>
<b>L (mm)</b>	<b>290</b>
<b>A (mm)</b>	<b>120</b>
<b>B (mm)</b>	<b>35</b>
<b>C (mm)</b>	<b>122</b>
<b>D (mm)</b>	<b>50</b>
<b>E (mm)</b>	<b>10</b>

Approximate weight: 4,5Kg

### Other characteristics

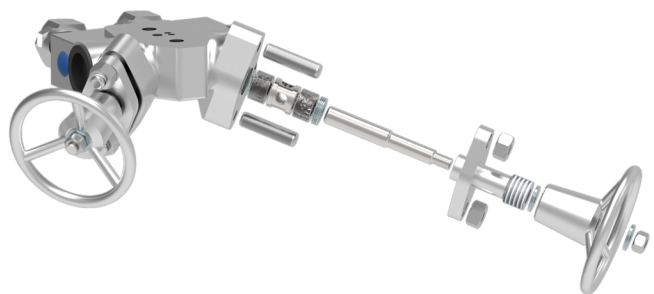
Bitherm TVS can be remotely monitored by SmartWatchWeb system in order to detect anomalies during operation, such as external or internal leaks, condensate discharge temperature, pressure and backpressure problems in order to improve the energy efficiency of the installation.

### BENEFITS OF TVS

Bitherm TVS has the following advantages in comparison to a conventional trap module:

- Ease of installation.
- Quick connection with universal steam trap.
- Testing trap online.
- Bypass when trap is being operated.
- Ease of depressurization.
- Compact and rugged.

### SPARE PARTS



Spare parts list:

- Integral piston kit.
- Blowdown piston valve.

Produced in accordance with Article 4.3 del PED - European Pressure Equipment Directive - PED 2014/68/EU.

Technical modification reserved. Copyright BiTherm 2018.

For more information please visit web [www.bitherm-sistemas.com](http://www.bitherm-sistemas.com) or contact your Bitherm's distributor.



#### Headquarters

BITHERM SISTEMAS S.A.  
 Ulises 89  
 28043 Madrid (Spain)  
 Ph: (+34) 91 736 45 57  
[ventas@bitherm-sistemas.com](mailto:ventas@bitherm-sistemas.com)

#### Factory

**PURGADORES DE CONDENSADO S.L.**  
 Artes y oficios 24, nave 9  
 30360 La Unión, Murcia (Spain)  
 Ph: (+34) 968 54 04 45  
[purgasa@bitherm.com](mailto:purgasa@bitherm.com)